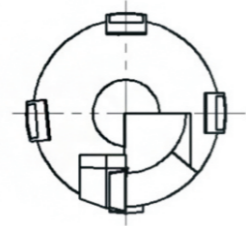
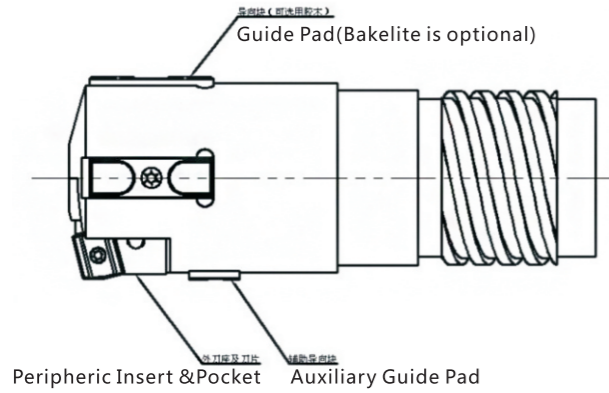
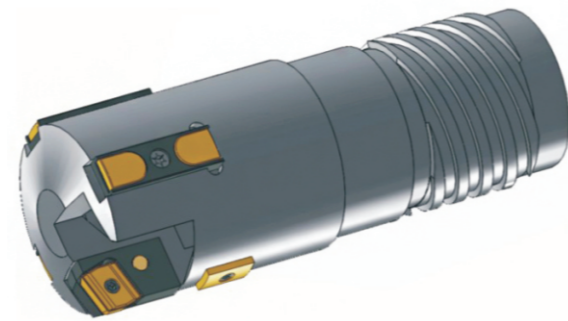


刀座式扩孔钻通用配置表 定制产品

Indexable Counterbore with Insert and Pockets
As Per Request



配件名称 Product Code	配件型号 Order No.	配用数量 Quantity Required	螺钉 Screw	扳手 Wrench
刀体 Drill Head	JKφ45.00DZ-JKφ47.99DZ	1		
外刀座 Peripheric Pocket	DZP11	1	M4-N	HG-3
外刀片 Peripheric Insert	P11T308-G	1	M2.5JK	T7
导向块 Guide Pad	DQ0825	3	M3	T10
辅助导向块 Auxiliary Guide Pad	FDQ0812	1	M3	T10
胶木导向块 Bakelite Pad	DQ0825JM	1	M3	T10
刀体 Drill Head	JKφ48.00DZ-JKφ49.49DZ	1		
外刀座 Peripheric Pocket	DZP11	1	M4-N	HG-3
外刀片 Peripheric Insert	P11T308-G	1	M2.5JK	T7
导向块 Guide Pad	DQ1030	3	M3	T10
辅助导向块 Auxiliary Guide Pad	FDQ1015	1	M3	T10
胶木导向块 Bakelite Pad	DQ1030JM	1	M3	T10
刀体 Drill Head	JKφ49.50DZ-JKφ64.99DZ	1		
外刀座 Peripheric Pocket	DZP11	1	M4-N	HG-3
外刀片 Peripheric Insert	P11T308-G	1	M2.5JK	T7
导向块 Guide Pad	DQ12H	3	M5	T20
辅助导向块 Auxiliary Guide Pad	FDQ1015	1	M3	T10
胶木导向块 Bakelite Pad	DQ12JM	1	M5	T20
刀体 Drill Head	JKφ65.00DZ-JKφ72.99DZ	1		
外刀座 Peripheric Pocket	DZP19	1	M5-N	HG-4
外刀片 Peripheric Insert	P14T308-G1	1	M3	T10
导向块 Guide Pad	DQ14H	3	M5	T20
辅助导向块 Auxiliary Guide Pad	FDQ1015	1	M3	T10
胶木导向块 Bakelite Pad	DQ14JM	1	M5	T20

刀片槽型选用参考深孔钻，可根据用户要求特别定制，辅助导向块及胶木导向块由用户选配。
Refer to deep drills for inserts chip breaker;Special design as per customer's request is available
Auxiliary guide pad and bakelite guide pad are optional as per customer's request.

配件名称 Product Code	配件型号 Order No.	配用数量 Quantity Required	螺钉 Screw	扳手 Wrench
刀体 Drill Head	JKφ73.00DZ-Jφ79.99DZ	1		
外刀座 Peripheric Pocket	DZP23	1	M6-N	HG-5
外刀片 Peripheric Insert	P190608-G1	1	M4	T15
导向块 Guide Pad	DQ14H	3	M5	T20
辅助导向块 Auxiliary Pad	FDQ1015	1	M3	T10
胶木导向块 Bakelite Pad	DQ14JM	1	M5	T20
刀体 Drill Head	JKφ80.00DZ-JKφ106.99DZ	1		
外刀座 Peripheric Pocket	DZP23	1	M6-N	HG-5
外刀片 Peripheric Insert	P190608-G1	1	M4	T15
导向块 Guide Pad	DQ16H	3	M5	T20
辅助导向块 Auxiliary Pad	FDQ1015	1	M3	T10
胶木导向块 Bakelite Pad	DQ16JM	1	M5	T20
刀体 Drill Head	JKφ107.00DZ-JKφ180.00DZ	1		
外刀座 Peripheric Pocket	DZP23	1	M6-N	HG-5
外刀片 Peripheric Insert	P190608-G1	1	M4	T15
导向块 Guide Pad	DQ16H	5	M5	T20
辅助导向块 Auxiliary Pad	FDQ1015	1	M3	T10
胶木导向块 Bakelite Pad	DQ16JM	1	M5	T20

刀片槽型选用参考深孔钻，可根据用户要求特别定制，辅助导向块及胶木导向块由用户选配。
Refer to deep drills for inserts chip breaker;Special design as per customer's request is available
Auxiliary guide pad and bakelite guide pad are optional as per customer's request.