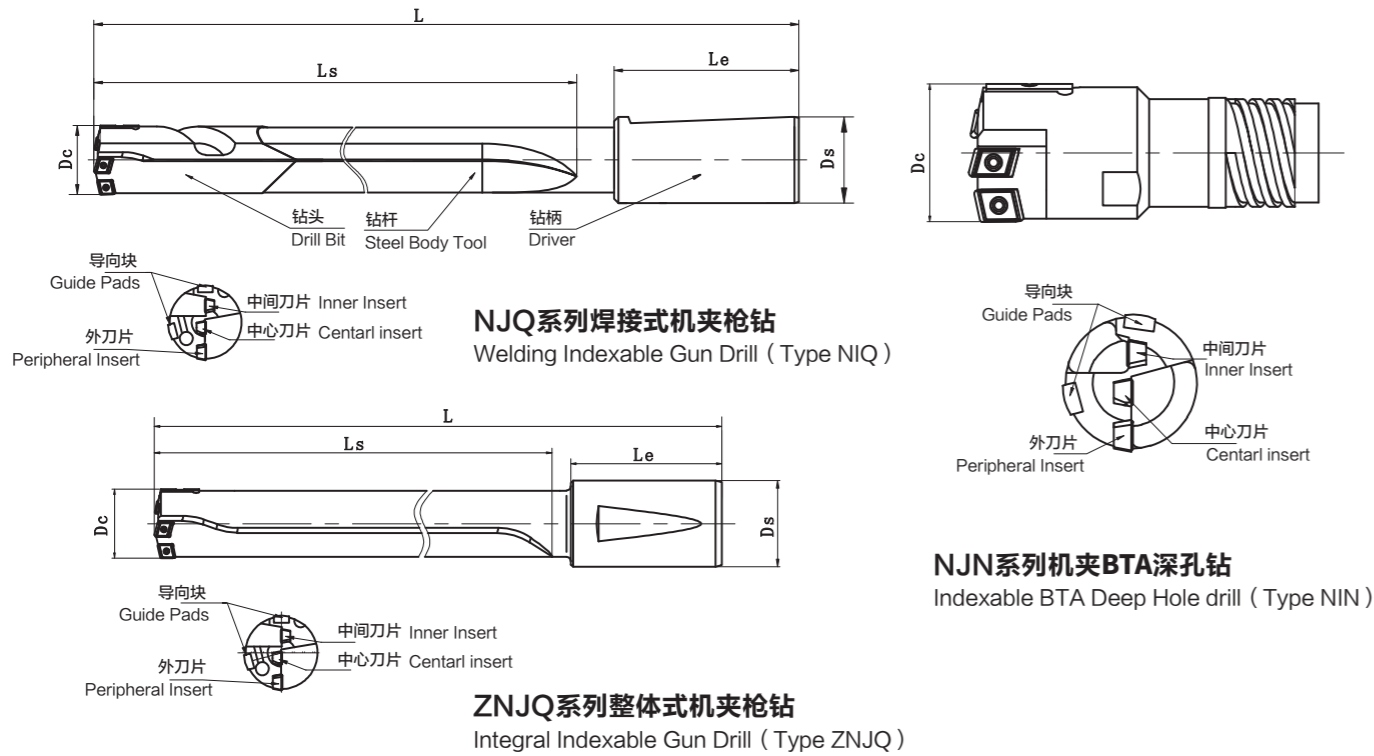


N/ZN型机夹式深孔钻

Indexable Deep Hole Drill (Type N/ZN)



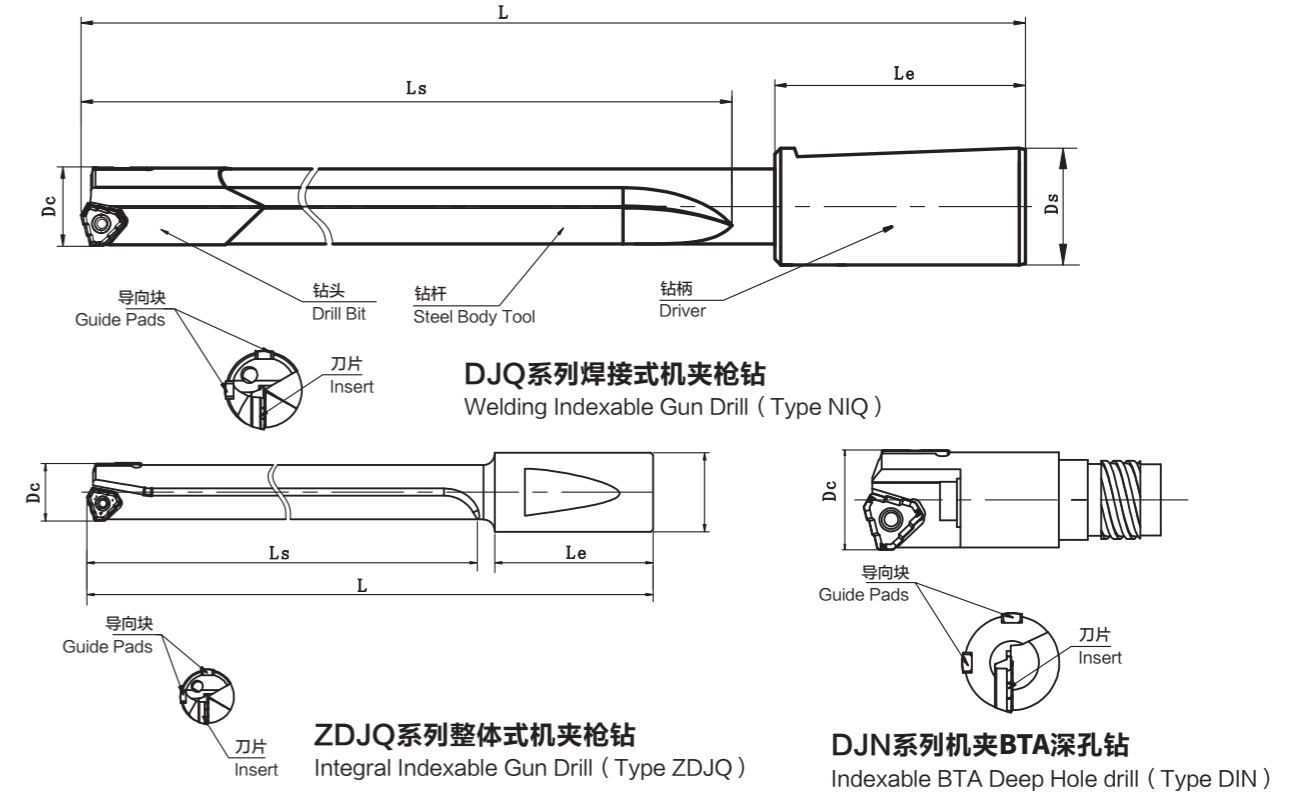
可定制 (Can Be customized according to customer requirements)

N/ZN型机夹式深孔钻通用配置表 Products List For Indexable Deep Hole Drill (Type D/ZD)

加工范围 Drill Diameter	刀片 Insert									导向块 Guide Pads	螺钉 Screw	扳手 Wrench
	外刀片 Peripheral Insert	螺钉 Screw	扳手 Wrench	中间刀片 Inner Insert	螺钉 Screw	扳手 Wrench	中心刀片 Center Insert	螺钉 Screw	扳手 Wrench			
25.00-28.00	N4P060	M2.2x6.3	T7	N4I055	M2.2x6.3	T7	N4C055	M2.2x6.3	T7	N4DQ06-D24	M2.5x5.5	T8
28.01-29.99	N4P060	M2.2x6.3	T7	N4I055	M2.2x6.3	T7	N4C065	M2.5x6	T7	N4DQ06-D24	M2.5x5.5	T8
30.00-35.00	N4P075	M2.5x6	T8	N4I065	M2.5x6	T8	N4C065	M2.5x6	T8	N4DQ07	M3x6	T10
35.01-38.00	N4P075	M2.5x6	T8	N4I065	M2.5x6	T8	N4C080	M2.5x6	T8	N4DQ07	M3x6	T10
38.01-39.00	N4P090	M2.5x6	T8	N4I065	M2.5x6	T8	N4C080	M2.5x6	T8	N4DQ07	M3x6	T10
39.01-41.00	N4P090	M2.5x6	T8	N4I065	M2.5x6	T8	N4C080	M2.5x6	T8	N4DQ08	M3x8	T15
41.01-44.00	N4P090	M2.5x6	T8	N4I080	M2.5x6	T8	N4C080	M2.5x6	T8	N4DQ08	M3x8	T15
44.01-45.00	N4P090	M2.5x6	T8	N4I080	M2.5x6	T8	N4C095	M2.5x6	T8	N4DQ08	M3x8	T15
45.01-47.00	N4P090	M2.5x6	T8	N4I080	M2.5x6	T8	N4C095	M2.5x6	T8	N4DQ10	M3.5x9	T15
47.01-51.00	N4P110	M2.5x6	T8	N4I080	M2.5x6	T8	N4C095	M2.5x6	T8	N4DQ10	M3.5x9	T15

D/ZD型 机夹式深孔钻

Indexable Deep Hole Drill (Type D/ZD)



可定制 (Can Be customized according to customer requirements)

N/ZN型机夹式深孔钻通用配置表 Products List For Indexable Deep Hole Drill (Type D/ZD)

加工范围 Drill Diameter	刀片 Insert	螺钉 Screw	扳手 Wrench	导向块 Guide Pads	螺钉 Screw	扳手 Wrench
	11.00-13.99	NPMT06	M2.5x5	T8	N4DQ04	M2x4
14.00-15.99	TOGT07	M2.5x6	T8	N4DQ05-D12	M2.2x5	T7
16.00-18.00	TOGT08	M2.5x6	T8	N4DQ05-D15	M2.2x5	T7
18.01-20.00	TOGT09	M2.5x6	T8	N4DQ06-D17	M2.2x5.5	T8
20.01-21.00	TOGT10	M3x7	T10	N4DQ06-D17	M2.2x5.5	T8
21.01-21.99	TOGT10	M3x7	T10	N4DQ06-D20	M2.2x5.5	T8
22.00-25.00	TOGT11	M3.5x9	T15	N4DQ06-D20	M2.2x5.5	T8
25.01-28.99	TOGT12	M4x10	T15	N4DQ06-D24	M2.2x5.5	T8
28.01-30.00	TOGT13	M5x11	T20	N4DQ06-D24	M2.2x5.5	T8
30.01-32.00	TOGT13	M5x11	T20	N4DQ07	M3x6	T10